

Fred ECO

Wall Mounted Smoke, Dust & Fume Extractor



The FRED-ECO offers a simple, affordable, and easy-to-install fume extraction & filtration kit for everyday applications. The 10' flexible capture arm on the Fred ECO is externally articulated, making operator repositioning & maintenance easy.

The kit includes a 120V rotary motor starter that can be conveniently mounted close to the operator's working area. Once properly positioned, smoke, dust, and other airborne contaminants are safely captured before reaching the operator's respiratory zone. For applications where the extraction arm needs to be mounted further away from the blower, the remote mounting kit is a popular option.

The high-efficiency 26" filter collects submicron welding fumes before returning air to the facility. By capturing, cleaning, and recycling contaminated air, the FRED-ECO works as a heat recovery device, helping you keep energy costs down.

Benefits:

- Easy-to-install, easy-to-operate
- Capture-at-source for Cleaner Air
- Complies with OSHA guidelines for controlling weld fumes

Features:

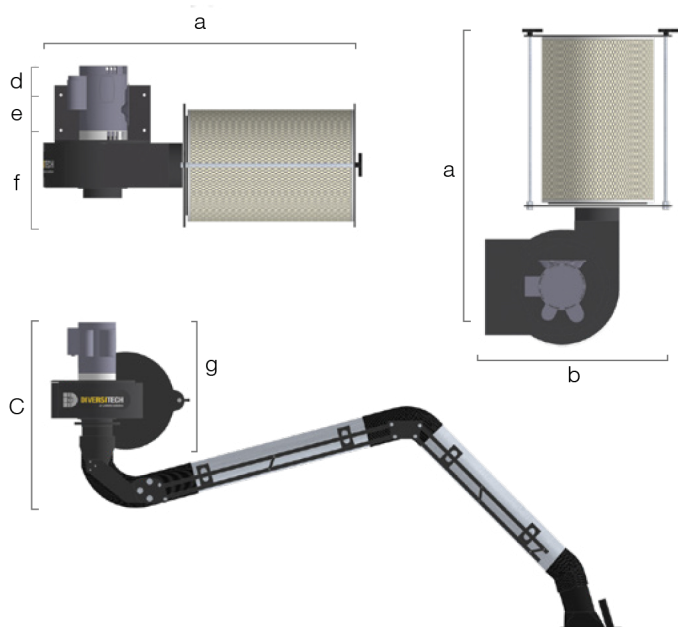
- 1.5HP TEFC, 1200 CFM blower with a pre-installed bracket
- 26" re-useable cartridge filter (MERV 15)
- 10' x 6" diameter externally articulated extractor arm
- Rotary Starter [120 VAC] with 15' Power Cord included

Options:

- Flexible externally articulated capture arm 6.5', 10', or 13'
- Automatic self-positioning, Fume Tracker™ capture arm
- 3.0 HP 1800 CFM High-Static Motor [230/460/575V 3PH]
- Extension boom, 5' or 10'
- Spunbond Polyester Filter Cartridge (washable)
- Hood mounted LED light kit



WELDING • GRINDING • SANDING • DEBURRING



NANOTECH XV



MERV 15 efficient cartridge filter captures particles at the submicron level, and surface-loading technology allows dust to be easily dislodged during cleaning with compressed air.

EFFICIENCY:	MERV 15
FILTER MEDIA:	NANOFIBER
MEDIA AREA:	320 SQ.FT.
COATING:	FIRE RETARDANT
END CAP:	OPEN/CLOSED
CLEANING METHOD:	COMPRESSED AIR
MAX TEMP:	180° F / 82° C
FLANGE:	NONE

POLYTECH XI



High strength, high efficiency (MERV 11) cartridge filter made from 100% spun-bond polyester that lowers costs, by allowing for water-based cleaning of captured contaminants.

EFFICIENCY:	MERV 11
FILTER MEDIA:	SPUN-BOND POLY
MEDIA AREA:	169 SQ.FT.
COATING:	FIRE RETARDANT
END CAP:	OPEN / CLOSED
CLEANING METHOD:	AIR + WATER WASH
MAX TEMP:	180° F / 82° C
FLANGE:	NONE

Technical Specifications

Model	Motor (H.P.)	Power					Nominal Airflow (CFM)	Cord Length (ft.)	Arm Length (ft.)
		Phase (hz)	@120V (amps)	@230V (amps)	@460V (amps)	@575V (amps)			
Fume Collector Kits									
FRED-ECO	1.5	1P/60Hz	13.2	---	---	---	1200	15	10/13
	3.0	3P/60Hz	---	7.1	3.7	3.2	1800	---	10/13

Dimensions

Model	Arm Length (ft.)	Arm Diameter (in.)	Net Weight (lbs.)	Product Dimensions (in.)							Shipping Dimensions (in.)			Gross Weight (lbs.)
				Width [a]	Height [C]	Length [b]	[d]	[e]	[f]	[g]	Width	Height	Length	
Fume Collector Kits														
FRED-ECO	10	6	160	25"+26 filter	35	27	4	5.5	11.5	21	46	50	46	205
	13	6	165	25"+26 filter	35	27	4	5.5	11.5	21	46	50	46	210



Innovative Air Solution Specialists

Website: www.airsolutions.us

Email: mail@airsolutions.us

Phone: 901-290-5090

Air Solutions, Inc.

P.O. Box 508

Oakland, TN 38060